

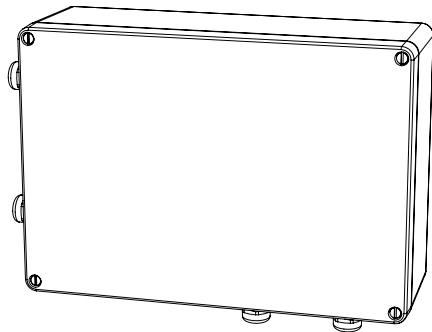
PS-ELV & PDB-ELV

Extra Low Voltage Power and Data Supply Units

PRODUCT SPECIFICATION SHEET

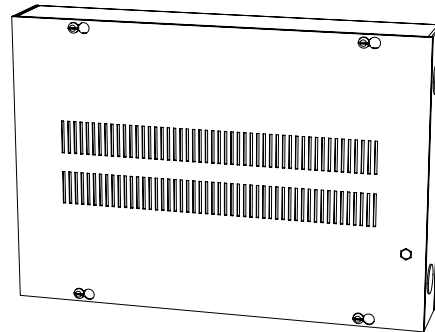
DATE:	
TYPE:	
COMPANY:	
PROJECT:	

IP66 (Outdoor)



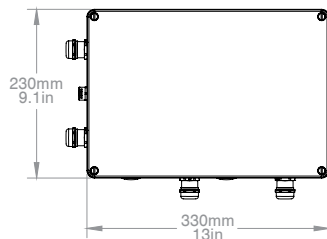
Correct orientation for mounting to a vertical surface. (outputs facing down)

IP30 (Indoor)

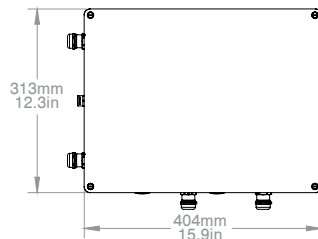


Correct orientation for mounting to a vertical surface. (outputs facing down)

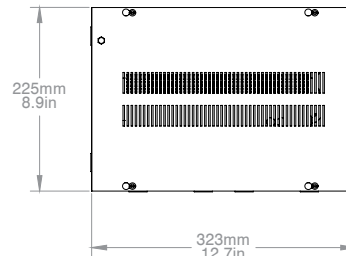
60-320W Version



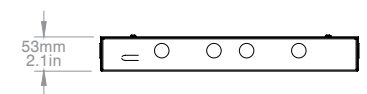
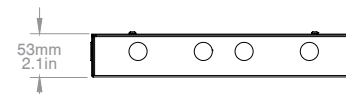
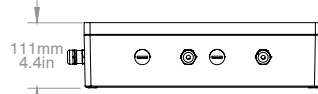
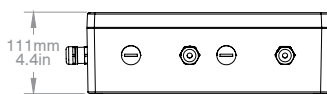
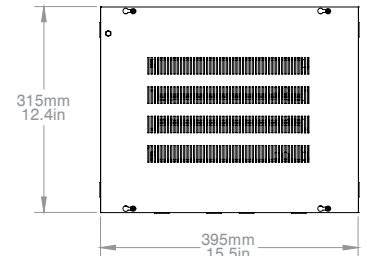
480-640W Version



60-320W Version



480-640W Version



FEATURES:

- Extra Low Voltage for safe operation
- Designed for GVA Lighting ELV products
- Universal input 120~277VAC
- Up to 4 x VDC outputs from PS units
- Up to 2 x VDC outputs from PDB units
- Combined VDC and control data output for PDB units
- Convenient wiring terminals for easy connections
- Knock-outs provided for conduit connection on indoor units
- M20 threaded cable glands supplied with outdoor units
- Data converter built-in to PDB units to accept and output various control signals
- 3 Year Limited Warranty

OPTIONS:

- Power Supply only (PS) or Power and Data Supply (PDB)
- 12, 24, 48 or 60VDC
- 60, 100, 240, 320, 480 or 640W
- DMX, DALI, 0~10V or Push Button Control Input
- ZH, DMX, DIM, or PWR control output
- IP30 rated indoor enclosure or IP66 rated outdoor enclosure

PS-ELV & PDB-ELV

Extra Low Voltage Power and Data Supply Units

PRODUCT SPECIFICATION SHEET

SPECIFICATION LOGIC: PS-ELV				
FAMILY	OUTPUT VOLTAGE	POWER (Watts)	INPUT VOLTAGE	CONSTRUCTION
PS	ELV12 - only 60W ELV24 - Max. 320W ELV48 - Min. 240W ELV60 - Min. 480W	60 100 240 320 480 640	120~277VAC	IP30 - Indoor IP66 - Indoor/Outdoor
PRODUCT CONFIGURATION				

SPECIFICATION LOGIC: PDB-ELV						
FAMILY	OUTPUT VOLTAGE	POWER (Watts)	CONTROL INPUT	OUTPUT	INPUT VOLTAGE	CONSTRUCTION
PDB	ELV12 - only 60W ELV24 - Max. 320W ELV48 - Min. 240W ELV60 - Min. 480W	60 100 240 320 480 640	0~10V DALI DMX PB ¹ - Push Button	ELV+ZH-1 - 1 x ELV Power & ZH Data Output ELV+ZH-2 - 2 x ELV Power & ZH Data Outputs ELV+DMX-1 - 1 x ELV Power & DMX Data Output ELV+DIM-1 - 1 x ELV Power & DIM Data Output (3-wire) PWR-1 - 1 x Dimmed ELV Power Output (2 wire) PWR-2 - 2 x Dimmed ELV Power Outputs (2 wire each)	120~277VAC	IP30 - Indoor IP66 - Indoor/Outdoor
PRODUCT CONFIGURATION						

1 - ELV+DMX-1, ELV+DIM-1 and PWR-1 output options only

TYPICAL SYSTEM DIAGRAM: PS-ELV & PDB-ELV

