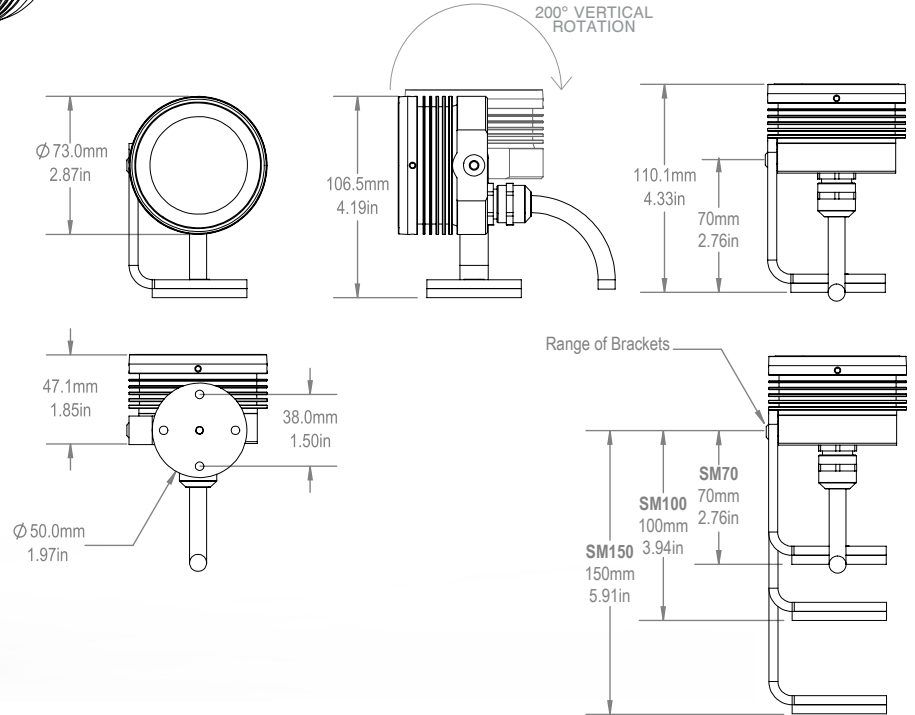


Dynamic White Architectural Spot and Flood Light

PRODUCT SPECIFICATION SHEET



DATE:	
TYPE:	
COMPANY:	
PROJECT:	



FEATURES:

- Dynamic white between 2700K and 7000K
- Fully sealed body design
- Machined and architectural anodized aluminum body
- Optically clear tempered glass
- Leader cable with proprietary moisture blocking design (IP68²)
- 5 year limited warranty
- Compact size, only 73mm (2.9in) in diameter
- Highly adjustable with 360° horizontal and 200° vertical rotation

OPTIONS:

- Beam angles ranging from 10° to 90° with elliptical distribution options
- Optical accessories for glare control
- Black matte and clear matte anodized colors
- Range of bracket lengths
- Outdoor Cable option suitable for outdoor exposed runs or Outdoor Burial Cable option suitable for outdoor exposed runs and direct burial (landscape applications).

SPECIFICATION LOGIC: LIRA™ DWT

FAMILY	BODY COLOR	POWER	LED COLOR	CONTROL	INPUT VOLTAGE	OPTICS (FWHM)	FLYING LEAD LENGTH	CABLE TYPE	MOUNTING
LIRA	BM - Black Matte CM - Clear Matte CUST - Custom Color ¹	8W	DWT - Dynamic White (2700K - 7700K)	DMX	24VDC	10 - 10°x10° 20 - 20°x20° 40 - 40°x40° 60 - 60°x60° 80 - 80°x80° 90 - 90°x90° 10x40 - 10°x40° H 40x10 - 40°x10° V 10x60 - 10°x60° H 60x10 - 60°x10° V 30x60 - 30°x60° H 60x30 - 60°x30° V	LL1 - 1.0m (3.3ft) LL2.5 - 2.5m (8.2ft) LL5 - 5.0m (16.4ft) LL7.5 - 7.5m (24.6ft) LL10 - 10.0m (32.8ft) LL15 - 15.0m (49.2ft) LL20 - 20.0m (65.6ft) LL25 - 25.0m (82.0ft)	OD - Outdoor OB - Outdoor Burial (Landscape)	SM70 SM100 ¹ SM150 ¹

PRODUCT CONFIGURATION

1. Non-standard option or in development. Contact factory for lead times.
2. Product has been designed to achieve or surpass IP66/68 ratings, certification pending.

Dynamic White Architectural Spot and Flood Light

PRODUCT SPECIFICATION SHEET

PRODUCT SPECIFICATIONS: LIRA™ DWT					
ELECTRICAL	Rated Input Voltage	24VDC			
	Power Consumption (max.)	8W			
	AC/DC Power Supply	GVA Lighting, Inc. PDB-ELV24-100~277VAC-IP66/IP40, or suitable 24V Class2 power supply			
OPTICAL	Light Source	High Power 4 in 1 Dynamic White LED			
	DWT Output (typical) 10°	Color	CCT	Luminous Flux (lm)	Peak Intensity (cd)
	Optics (FWHM)	Warm White	2700K	160	2,503
		Ultra White	7700K	280	4,502
		10 (10°x10°)	10x40 (10°x40° H)	 VERTICAL (40°x10°)	 HORIZONTAL (10°x40°)
		20 (20°x20°)	40x10 (40°x10° V)		
40 (40°x40°)		10x60 (10°x60° H)			
60 (60°x60°)	60x10 (60°x10° V)				
80 (80°x80°)	30x60 (30°x60° H)				
90 (90°x90°)	60x30 (60°x30° V)				
Projected Lumen Maintenance	L70 > 60,000hrs @ $t_a = 50^\circ\text{C}$ (122°F)				
CONTROL	Control Systems	Any DMX512-A controller			
PHYSICAL	Size (HxWxD)	mm	106.5 x 73.90 x 47.1		
		inches	4.19 x 2.87 x 1.85		
	Weight	kg	0.38		
		lbs	0.84		
	Housing	Machined and architectural anodized aluminum body, optically clear tempered glass			
	Fixture Connections (DMX)	7 conductor power and data cable with stripped wires and proprietary moisture blocking			
Rated Operation Temperature Environment	-30°C (-22°F) to +50°C (122°F) Dry, Damp or Wet Locations, 0-100% Humidity				
CERTIFICATION & SAFETY	Listings	RoHS			
	IEC Classifications	Class 2 LED Luminaire			
		Constructed to meet requirements outlined in UL 1838 & 8750			

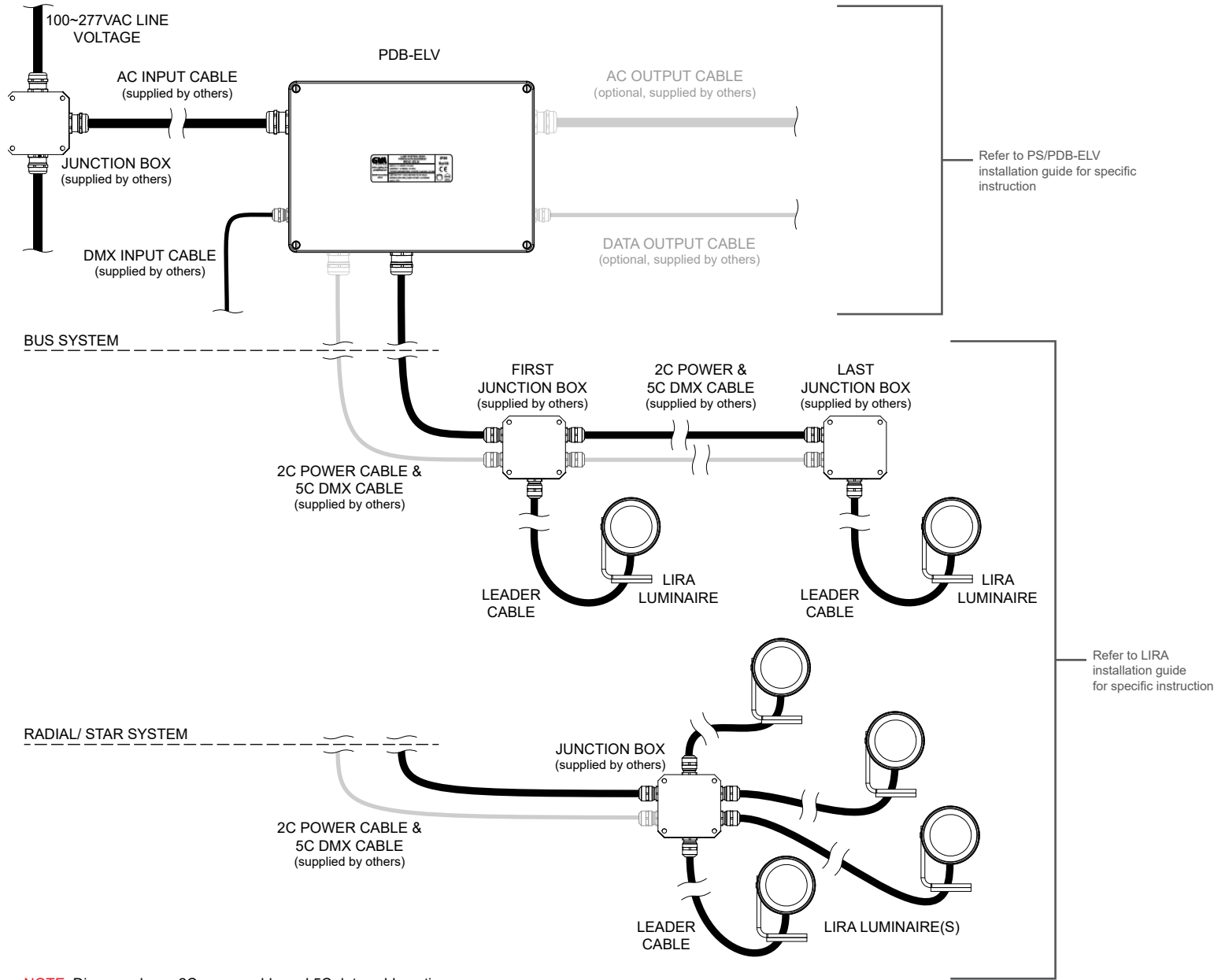
These figures are subject to change due to further development and innovations of LED light sources.

Dynamic White Architectural Spot and Flood Light

PRODUCT SPECIFICATION SHEET

TYPICAL SYSTEM DIAGRAMS

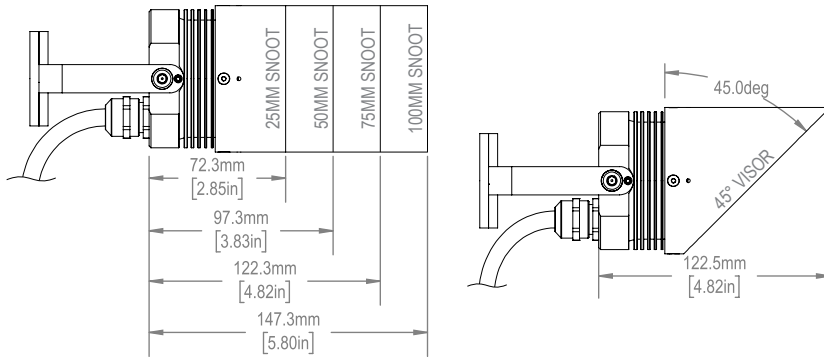
NOTE: Cable length, gauge, and fixture quantity is directly proportionate to the maximum fixture distance from the power-data box. Minimum working voltage of LIRA luminaire is 18VDC. Please consult GVA Lighting for more information.



NOTE: Diagram shows 2C power cable and 5C data cable option. GVA 7C power & data cable available (supplied separately).

ORDERING LOGIC: LIRA OPTICAL ACCESSORIES

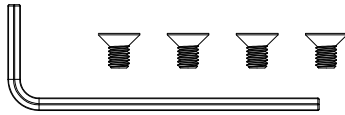
SNOOTS & VISORS



COLOR	25MM	50MM	75MM	100MM	VISOR
Clear Matte Anodized	122299	122302	122305	122308	122314
Black Matte Anodized	122300	122303	122306	122309	122315
Custom Color	122301	122304	122307	122310	122316

NOTE: Visor can be installed at any 90° orientation. See installation guide for details.
NOTE: Order 1 screw kit per every snoot and visor.

VISOR & SNOOT SCREW KIT



PART NO.
122907

NOTE: Order 1 screw kit per every snoot and visor.

CABLE



TYPE	LENGTH	PART NUMBER
7C OUTDOOR (OD)	Specify in Meters	280277
7C OUTDOOR BURIAL (OB)	Specify in Meters	280224