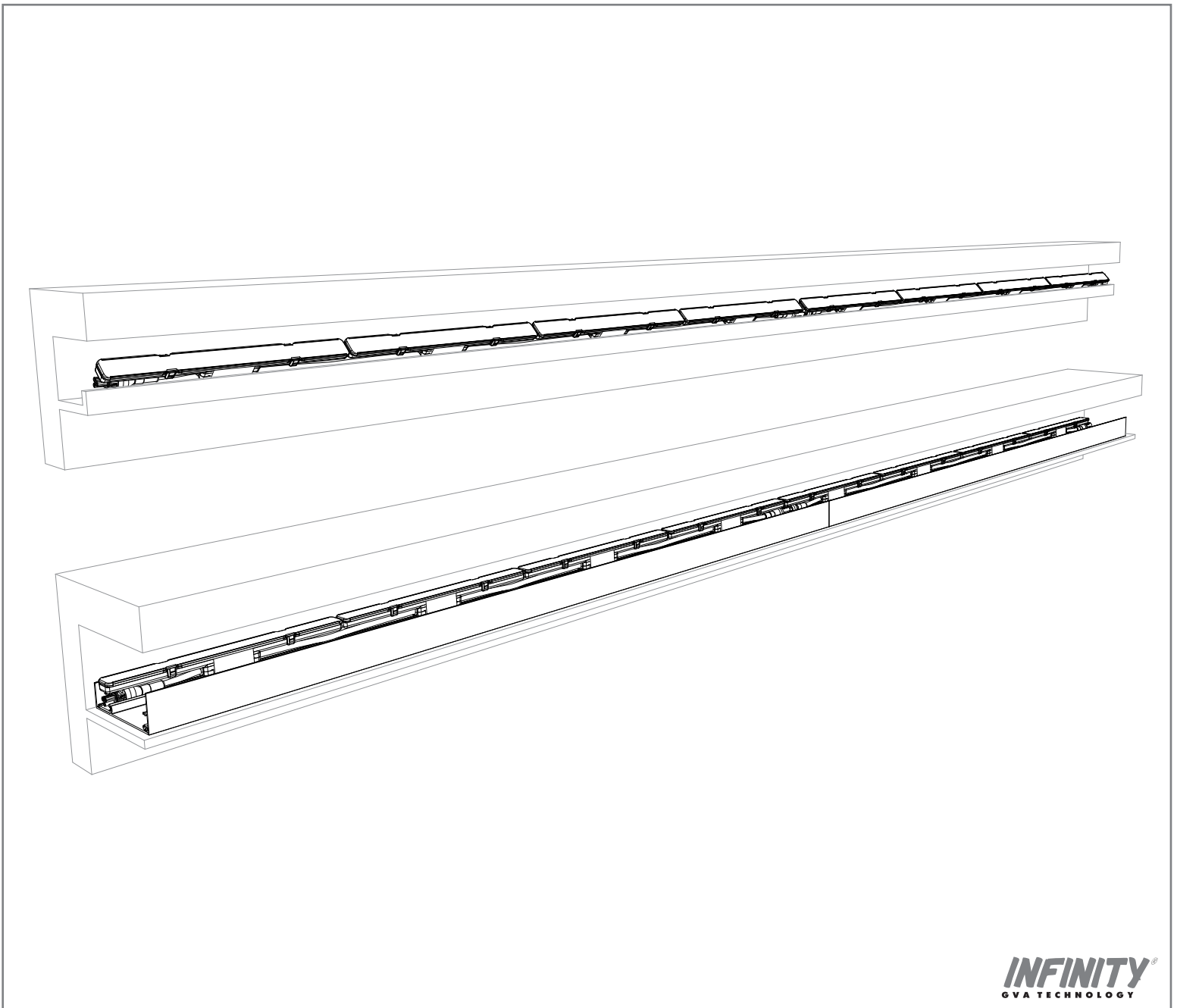


# HL-COVE

Modular LED Cove Lighting System

INSTALLATION GUIDE



## Modular LED Cove Lighting System

## INSTALLATION GUIDE

The HL-Cove is a modular LED lighting system designed for architectural cove lighting where long runs are necessary with a single power feed. This guide contains important information on planning and installing your new HL-Cove LED fixture. For your protection, read it carefully and save it for future reference.

### WARNING

Do not attempt to install or use Luminaire until you read and understand this guide and safety labels.

Luminaires must be installed by a qualified professional in accordance with all national and local electrical and construction codes and regulations.

Ensure that main power supply is OFF before installing or wiring luminaire(s).

Do not exceed specified voltage and current input.

Do not use luminaires with a damaged lens, body, or cable.

Not heading cautions may result in a hazardous situation which can cause equipment and property damage, personal injury, or death.

### CAUTION

Do not exceed the specified voltage and current input.

Do not exceed the maximum number of specified fixtures in a light run. Doing so will result in a current overload.

GVA Luminaires have no serviceable parts. Do not attempt to open the units.

Do not hot swap! Ensure power supply is off before connecting or disconnecting fixtures.

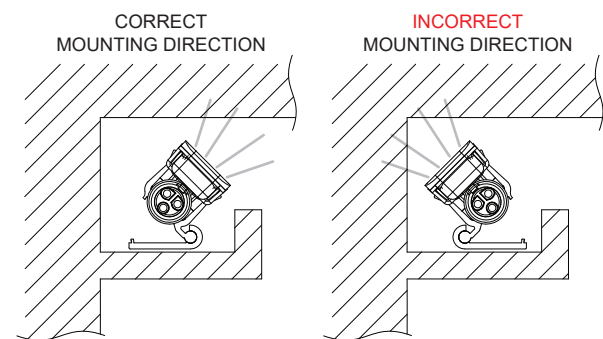
Do not stare into beam or view directly with optical instruments.

Unauthorized feild repairs will void warranty.

## 1. MOUNTING BRACKET INSTALLATION

1.A. Mounting Track Adjustable Bracket Installation.....	3
1.B. Single Adjustable Bracket Installation.....	4
1.C. Mounting Tray Installation.....	5

**NOTE:** The mounting bracket's pivot feature should point towards the direction the light fixture will be aimed.



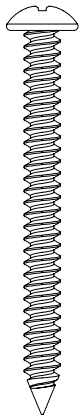
## 1.A. MOUNTING TRACK ADJUSTABLE BRACKET INSTALLATION

1.A.1. Using provided fasteners or mounting tape, install the Mounting Track following the hole pattern shown below.

**WARNING** Use mounting hardware suitable for the mounting surface. If supplied hardware is not suitable, replace with similar sized hardware. Use of inappropriate hardware may result in dismounting of the mounting profile and can result in equipment damage, injuries, and death.

**NOTE:** For multiple continuous Mounting Track installations, place each assembly against each other to achieve even module spacing.

**NOTE:** Mounting tape may be used if tool access is difficult or impossible.

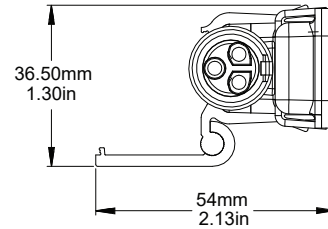
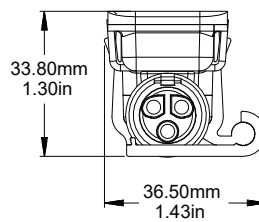


**HARDWARE REQUIRED:**  
(supplied)

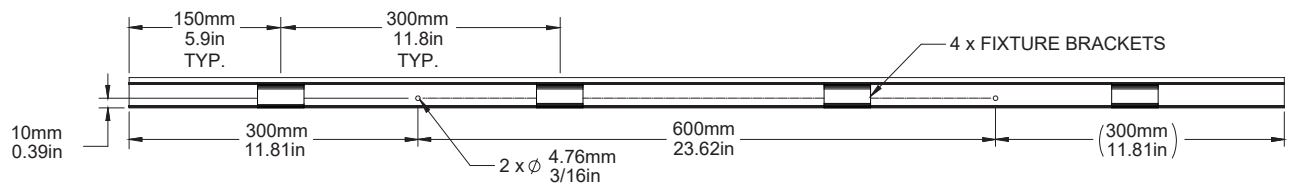
(per 1200mm bracket)  
2 x ST4.2 x 25MM  
PAN HEAD SCREW

(per 2400mm bracket)  
4 x ST4.2 x 25MM  
PAN HEAD SCREW

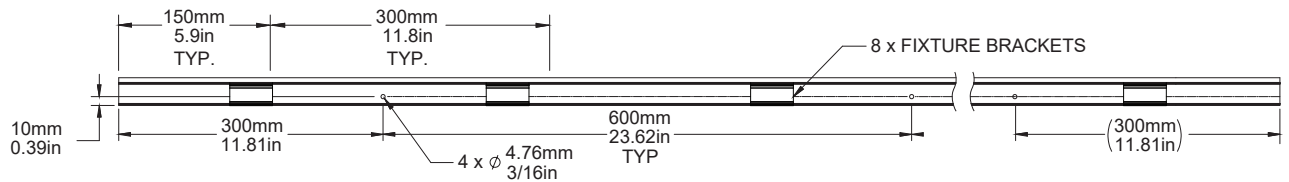
**MINIMUM COVE DIMENSIONS**



**1200MM MOUNTING TRACK MOUNTING PATTERN**



**2400MM MOUNTING TRACK MOUNTING PATTERN**

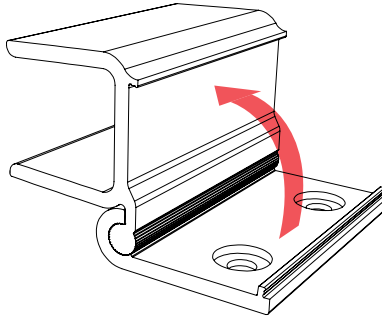


Specifications are subject to change without notice. Every effort has been made to ensure that the information provided in this manual is accurate. GVA Lighting Inc. is not responsible for printing or clerical errors. Refer to [www.gvalighting.com](http://www.gvalighting.com) for additional information.

## 1.B. SINGLE ADJUSTABLE BRACKET INSTALLATION

1.B.1. Fully open the adjustable cove brackets assembly.

**CAUTION** Avoid unnecessary adjustments of the brackets to prevent wear of the angle adjustments feature.

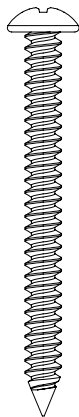


1.B.2. Using provided fasteners or mounting tape, install the Surface Mount adjustable cove bracket 300mm apart, following the hole pattern shown.

**CAUTION** 300mm distance between brackets is critical for fixture fit/alignment.

**NOTE:** Other fastener types can be used with head height less than 3mm (0.118in.), head diameter less than 9.5mm (0.374in.) and thread diameter less than 4.5mm (0.177in.).

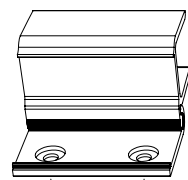
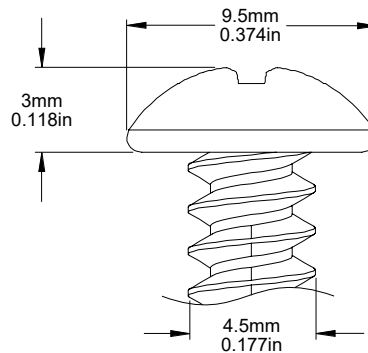
**NOTE:** Mounting tape may be used if tool access is difficult or impossible.



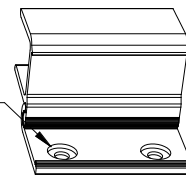
**HARDWARE REQUIRED:**  
(per bracket / supplied)

2 x ST4.2 x 25MM  
PAN HEAD SCREW

**MAXIMUM SCREW DIMENSIONS**  
(if using non-supplied fasteners)



Ø 4.76mm (3/16in.)  
□ Ø 9.53mm (3/8in.)

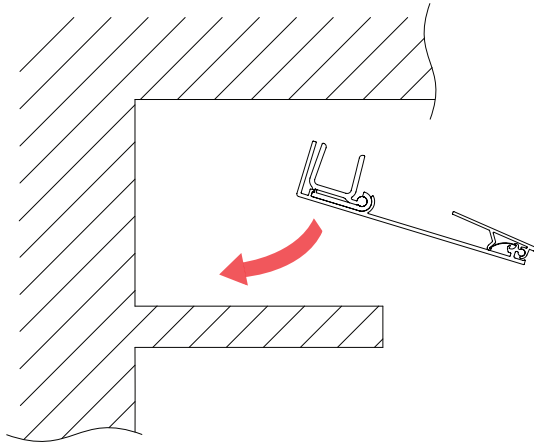


300mm  
11.81in.  
**(CRITICAL DIMENSION)**

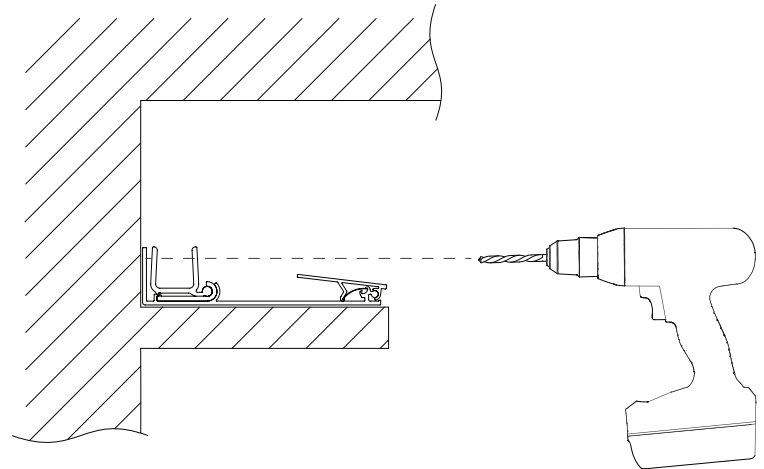
Specifications are subject to change without notice. Every effort has been made to ensure that the information provided in this manual is accurate. GVA Lighting Inc. is not responsible for printing or clerical errors. Refer to [www.gvalighting.com](http://www.gvalighting.com) for additional information.

## 1.C. MOUNTING TRAY INSTALLATION

**1.C.1.** Place mounting tray into pre-constructed architectural cove with glare control folded down.



**1.2.** Pre-drill a pilot hole through the tray mounting flange and into the mounting surface.

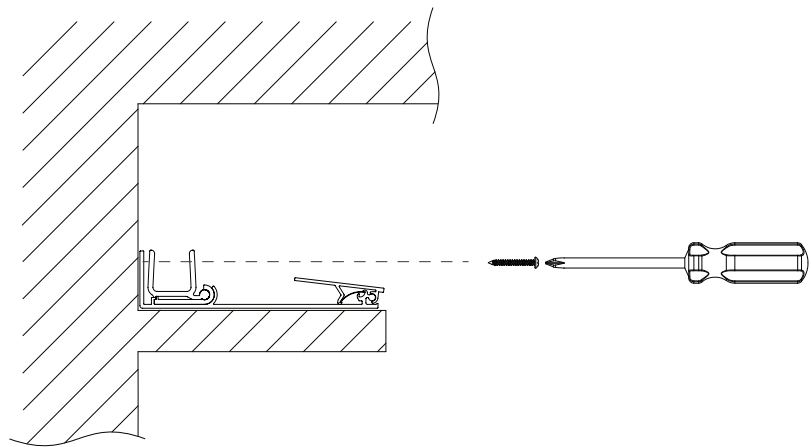
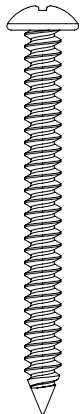


**1.C.3.** Use M6 or #10 screws/bolts (supplied by others) to secure the aluminum mounting profile. Use fasteners suitable for the mounting surface. Mounting tape may be used if tool access is difficult or impossible. Leave a 2mm (5/64in) gap between each mounting profile.

**WARNING**

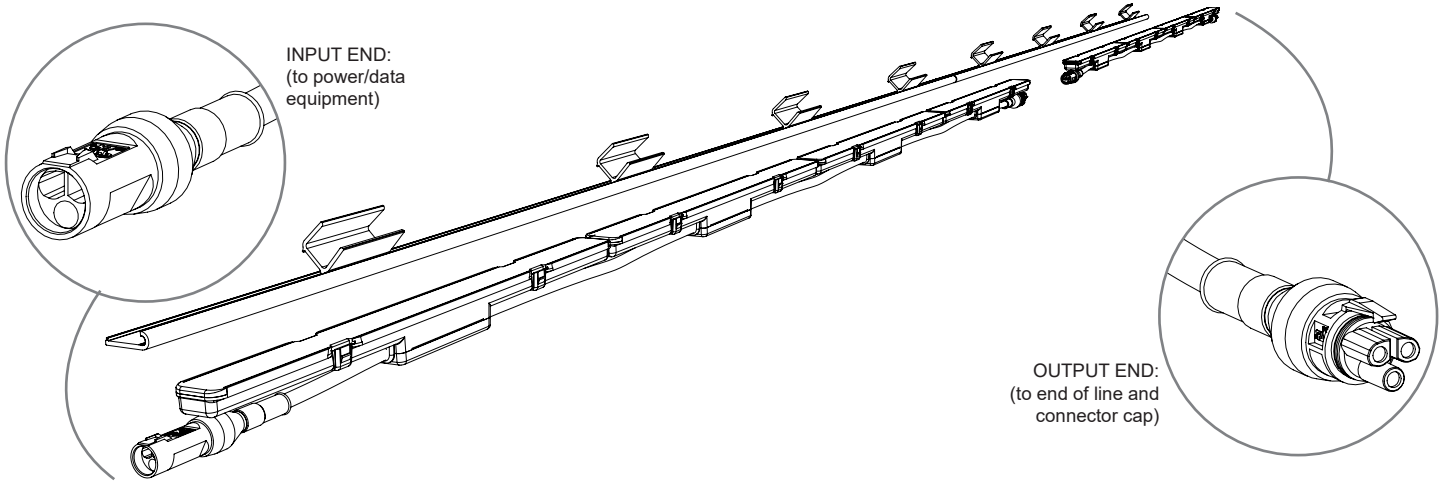
Use mounting hardware suitable for the mounting surface. Use of inappropriate hardware may result in dismounting of the mounting profile and can result in equipment damage, injuries, and death.

**HARDWARE REQUIRED:**  
M6 or #10 SCREW  
(not supplied)



## 2. FIXTURE INSTALLATION

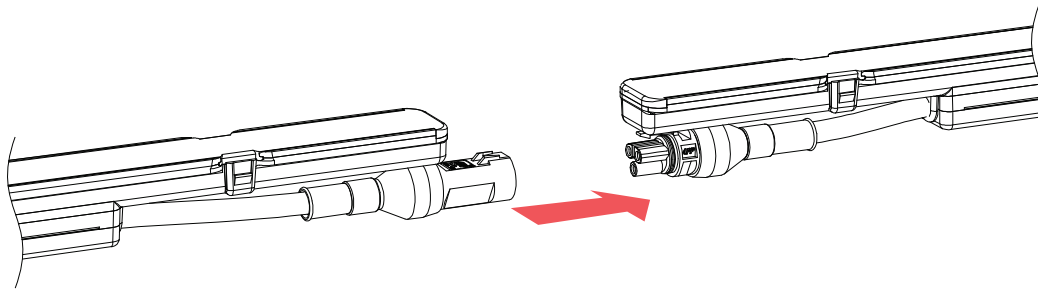
2.1. Lay out HL luminaires adjacent to the adjustable brackets. Ensure the input side of the first luminaire is facing the direction from which power is supplied.



2.2. Connect luminaires to one another before installing them into the adjustable brackets.

### CAUTION

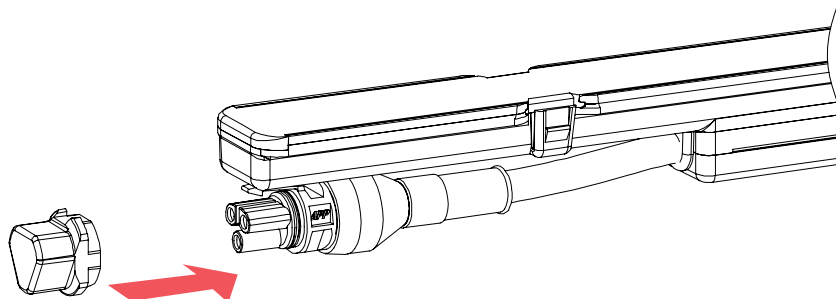
Connectors need to be firmly engaged for the snap to work properly. An audible "CLICK" will be heard when snap is fully inserted. Failure to connect luminaires correctly may result in fixture malfunction or damage.



2.3. Install connector cap on last HL luminaire's output connector to protect from electric shock and to maintain seal.

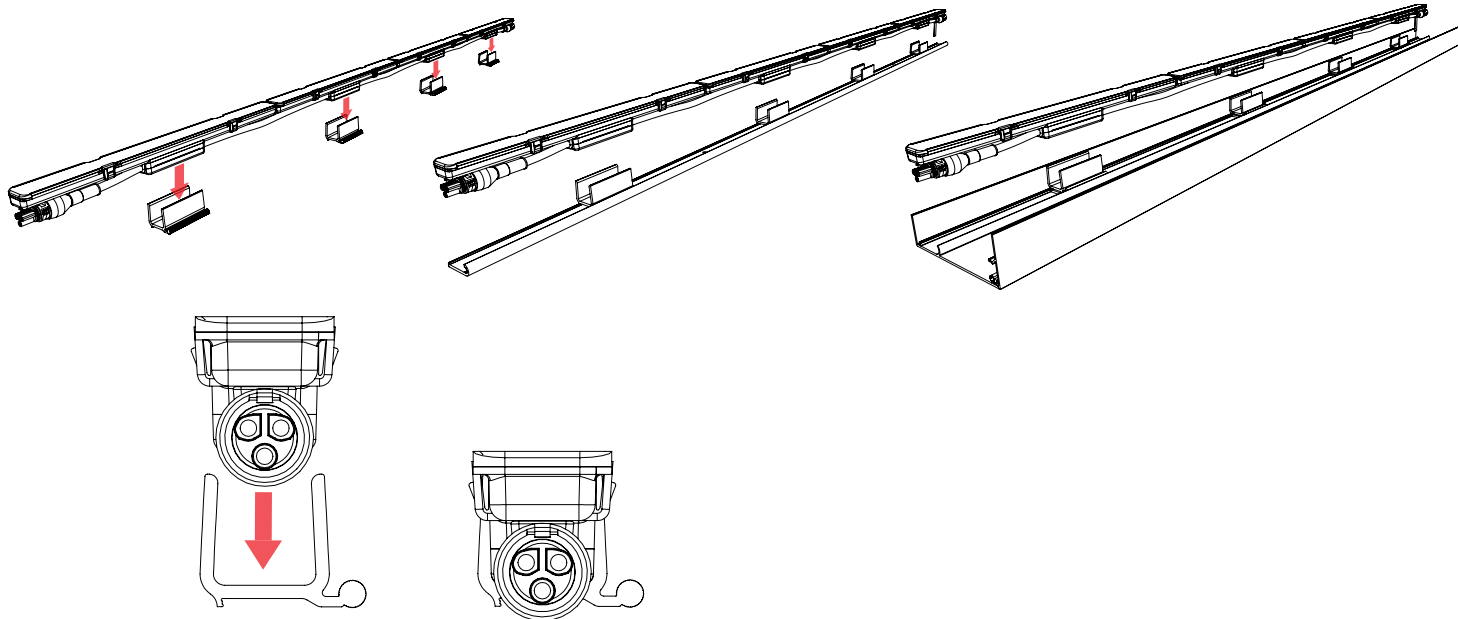
### WARNING

Failure to install the connector cap may result in equipment or property damage and personal injury.

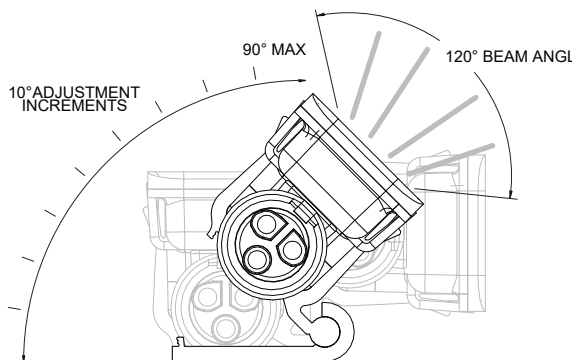


### 2. FIXTURE INSTALLATION

2.4. Install HL luminaires, starting from the first luminaire, on the mounted adjustable brackets, by firmly inserting the HL luminaire's I/O bay in the brackets channel.

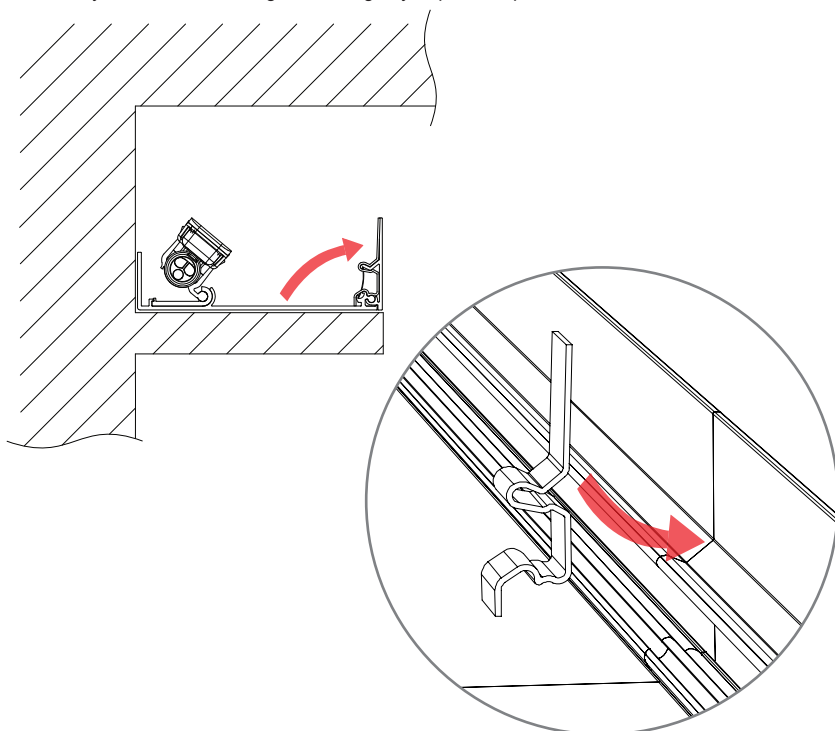


2.5. Adjust the installed HL luminaires by rotating the bracket to achieve the desired lighting effect.



2.6. If you are installing a mounting tray flip up glare control and insert tray joint cover between profiles to hide the light source.

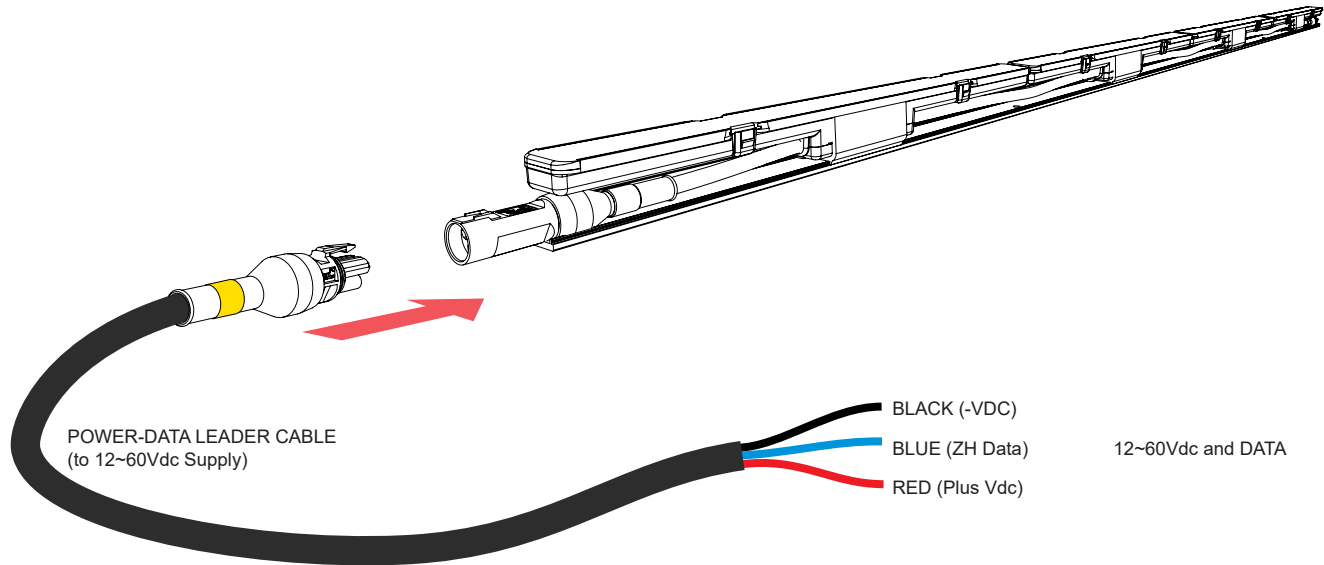
**NOTE:** If you are NOT installing a mounting tray skip this step.



### 3. FIXTURE CONNECTION

3.1. Connect Power-Data leader cable (ordered separately) from the Power-Data equipment to the first HL luminaire via mating connectors. Verify system is connected correctly and power the system on to test for proper function.

**WARNING** Ensure main power supply is turned OFF before making any connections. Connecting the luminaire while the power is turned ON may result in equipment damage, personal injuries or death.



MAXIMUM LEADER CABLE LENGTH: 100ft (30m)  
(From power supply to first fixture)

**NOTE:** If connecting to power supply with no dimming control, twist BLACK (-Vdc) and BLUE (ZH Data) wires together, then connect the pair to -Vdc side of power supply.\*



**NOTES**

--

Specifications are subject to change without notice. Every effort has been made to ensure that the information provided in this manual is accurate. GVA Lighting Inc. is not responsible for printing or clerical errors. Refer to [www.gvalighting.com](http://www.gvalighting.com) for additional information.